

THIS DRAWING IS UNPUBLISHED. RELEASED FOR PUBLICATION MAY, 2006.

© COPYRIGHT 2006 BY TYCO ELECTRONICS CORPORATION. ALL RIGHTS RESERVED.

LOC	DIST	REVISIONS					
E	B	P	LTR	DESCRIPTION	DATE	DWN	APVD
		B		ECR-08-001883	22JAN08	JMS	FWK

NOTES:

- ① SINGLE PACK IN ACCORDANCE WITH AMP SPEC 107-3275
- ② 50 TRAY PACK IN ACCORDANCE WITH AMP SPEC 107-3275
- ③ Au PLATING
- ④ Ni PLATING
- ⑤ TIN PLATING
- ⑥ MOUNTING POSTS ARE OPTIONAL SEE TABLE FOR PART NUMBERS
- ⑦ RECOMMENDED SELF-TAPPING SCREW 221108-4

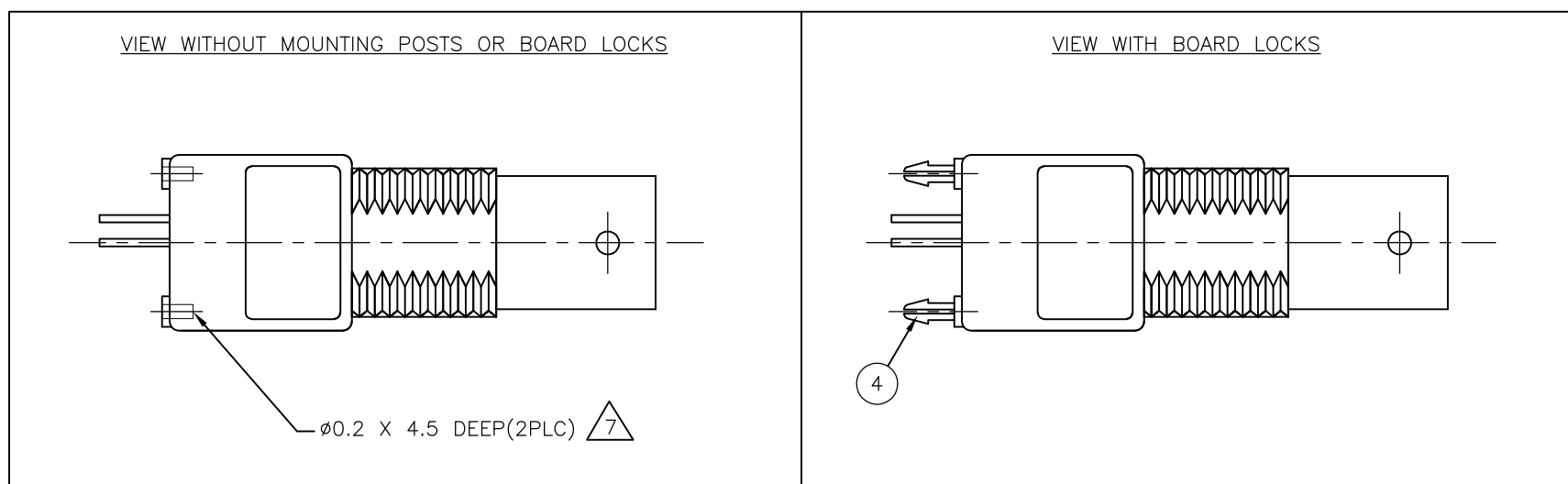
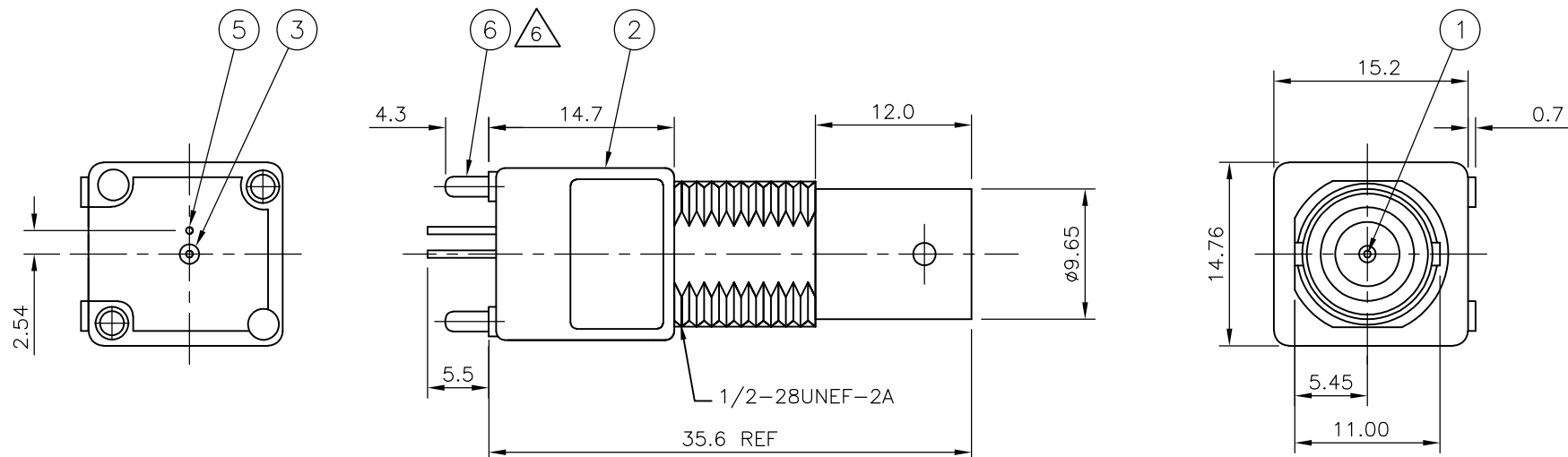
- 8 RECOMMENDED MOUNT NUT 1-1634816-0
- 9 RECOMMENDED LOCKWASHER 1-1634817-0

- 10 CHARACTERISTICS
- | | |
|-------------------------------|------------|
| FREQUENCY RANGE: | DC - 2GHz |
| NOMINAL IMPEDANCE: | 75 OHMS |
| WORKING VOLTAGE: | 500V RMS |
| INSULATION RESISTANCE: | 5000 MOHMS |
| DIELECTRIC WITHSTAND VOLTAGE: | 1500V RMS |
| CONTACT RESISTANCE: | |
| CENTRE CONTACT | 1.5 mOHMS |
| OUTER CONTACT | 0.2 mOHMS |

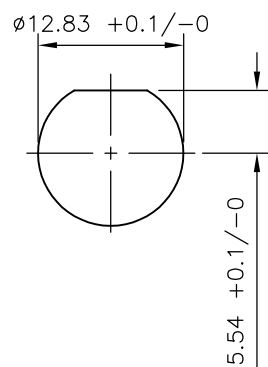
- 11 MECHANICAL CHARACTERISTICS
- | | |
|-------------|-----------|
| DURABILITY: | 50 CYCLES |
|-------------|-----------|

12 FOR TECHNICAL DATA REFER TO YOUR LOCAL TYCO ELECTRONICS SALES OFFICE

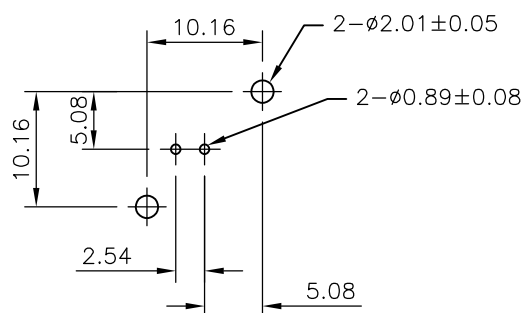
13 ALL DIMENSIONS ARE NOMINAL FOR REFERENCE ONLY UNLESS OTHERWISE STATED



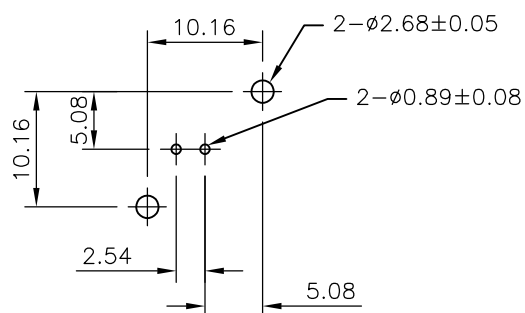
RECOMMENDED MOUNTING HOLE
MAX PANEL THICKNESS: 5.5mm



RECOMMENDED PCB LAYOUT
WITH MOUNTING POSTS OR BOARD LOCKS



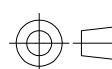
RECOMMENDED PCB LAYOUT
WITHOUT MOUNTING POSTS



QTY	QTY	QTY	QTY	QTY	QTY	QTY	QTY	MATERIAL	DESCRIPTION	ITEM
-	-	-	-	2	2			PHOS. BRONZE ③	MOUNTING POST	6
1	1	1	1	1	1			COPPER ③	SOLDER TAIL	5
-	-	2	2	-	-			PHOS. BRONZE ③	BOARD LOCK	4
1	1	1	1	1	1			PE-606	INSULATOR	3
1	1	1	1	1	1			ZINC ALLOY ④	BODY	2
1	1	1	1	1	1			PHOS. BRONZE ③	CONTACT	1
6--2	1--2	6--1	1--1	6--0	1--0					
②	①	②	①	②	①					
QUANTITY PER ASSY								PARTS LIST		

THIS DRAWING IS A CONTROLLED DOCUMENT.

DIMENSIONS:
mm



MATERIAL
SEE TABLE

TOLERANCES UNLESS OTHERWISE SPECIFIED:

0 PLC	± -
1 PLC	± -
2 PLC	± -
3 PLC	± -
4 PLC	± -
ANGLES	± -
FINISH	± -

DWN J.SANDWELL 11MAY06
CHK S.PARLOW 11MAY06
APVD F.WHEELER-KING 11MAY06
PRODUCT SPEC
APPLICATION SPEC
WEIGHT -
CUSTOMER DRAWING

Tyco Electronics Tyco Electronics Corporation
Bideford EX39 4HE

NAME: BNC STRAIGHT SHIELDED PCB SOCKET
75 OHM METAL

SIZE	CAGE CODE	DRAWING NO	RESTRICTED TO
A3	00779	C-1634630	-

SCALE: NTS SHEET 1 OF 1 REV B